

Specification sheet

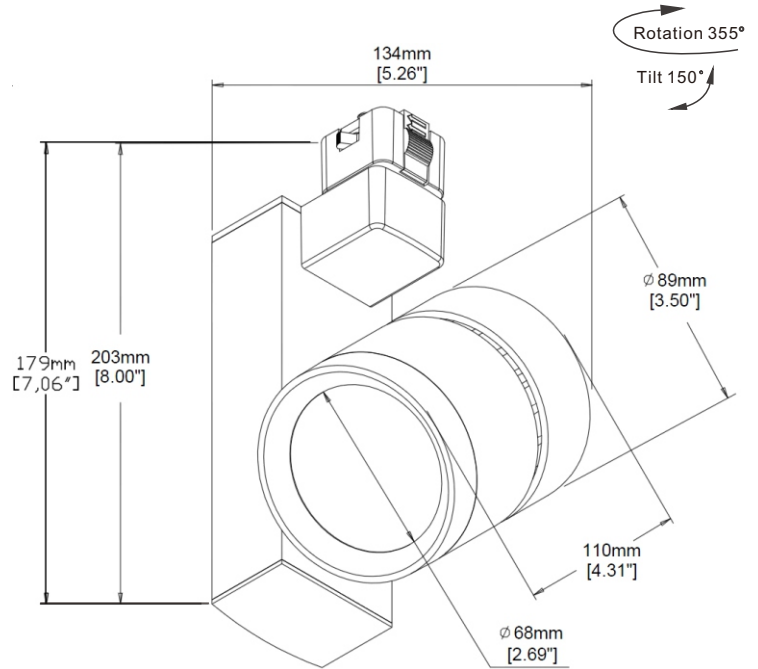
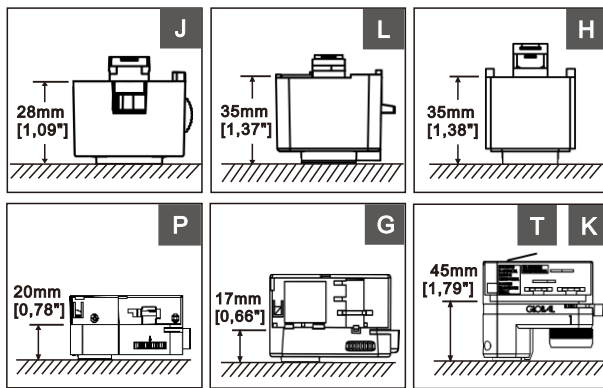
REV.1

Classic VS4 Vertical Spot Maxi (Global / Juno / Halo / Lightolier/ Power Gear)



SHOWN IN HALO ADAPTER

1. Juno is a registered trademark of Juno Lighting
2. Halo is a registered trademark of Cooper Lighting
3. Lightolier is a registered trademark of Philips Lighting



Description

Performance with uncompromised visual experience packed in a sleek and sharp design defines Classic VS4 track spot. Classic VS4 is capable of delivering up to 3000 lm with efficacy peaks at 82 lm/W. Soft-focus glass lens provides wonderful glare-control. Owing to a twist-lock bezel design, the reflectors and accessory chamber which could hold up to three accessories can be easily accessible in the field. This luminaire offers options for three beam angles, wide range of track adapters, and accessories making it perfect for your commercial and architectural applications.

Features

LED	Lumiled Luxeon COB
Color temperature	2700K/ 3000K/ 3500K/ 4000K
Optics	Spot 15° / Medium 24° / Wide 30°
Accessories	Honeycomb Louvre/ Snoot
Driver	Integrated class 2 driver, power factor >0.90

Performance

Delivered output	3000lm / 2200lm
Power consumption	37W/ 29W
Color rendering	CRI 80+ / CRI 90+
CBCP(3000lm)	Spot 10008cd/ medium 8407cd/ wide 6148cd
(2200lm)	Spot 8176cd/ medium 6860cd/ wide 4992cd

Electrical and Control

Input voltage	See the ordering code
Control	TRIAC/ELV dimming 0-10V (Please consult factory)
Feature	Overload & short circuit protection

Construction

Material	Die-cast Aluminum
Finishes	Black/ White/ Silver
Optics	Interchangeable reflectors and soft-focus glass lens

Rating/ Certification/ Warranty

- Dry and damp Locations
- RoHS compliant
- UL classified E465197
- 5 years/ 50,000 hrs warranty

Ordering Code Information

PRODUCT	Track System	LUMEN	COLOR TEMPERATURE	FINISH	BEAM ANGLE	INPUT VOLTAGE
CLS VS4	H	30	27	WH	S	1

CLS VS4

H Halo track compatible
J Juno track compatible
L Lightolier track compatible
G Global-3 circuit, Ga69
K Global HTEK HTEK100
P Power Gear- 3 wire, 3 circuit
T Global TEK, TEK100

22 2200lm
 30 3000lm

27 (2700K)
 30 (3000K)
 35 (3500K)
 40 (4000K)

WH (White)
 BK (Black)
 AL (Aluminium)

S (Spot) / 18 deg.
 M (Medium) / 24 deg.
 W (Wide) / 30 deg.

1 (120V)
 2 (120-240V)
 3 (120-277V)
 DIM on 120V
 4 (220-240V)

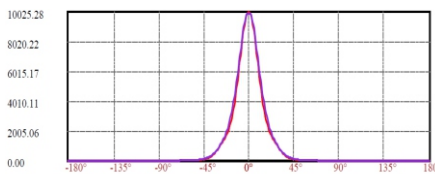
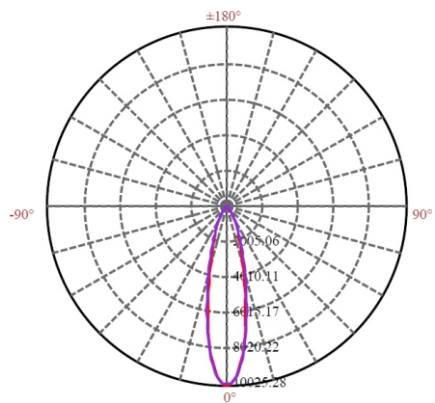
Photometric Data : Distribution Curve

Classic VS4 Vertical Spot Maxi(3000lm)

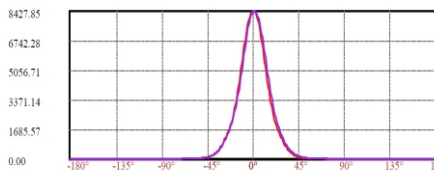
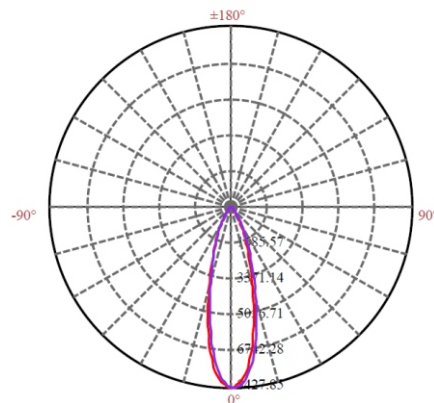
15° Beam Spread
 3000K/ >80CRI
 > 2989lm
 Efficacy > 78LPW

24° Beam Spread
 3000K/ >80CRI
 > 3054lm
 Efficacy > 82LPW

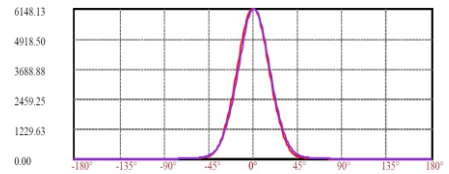
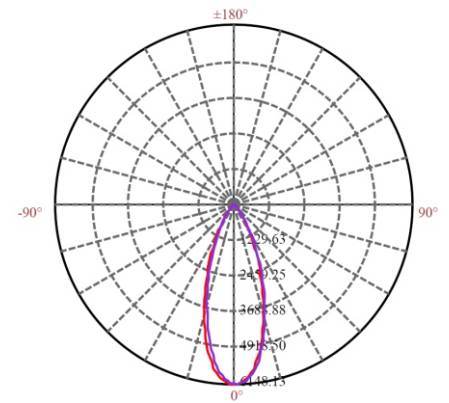
30° Beam Spread
 3000K/ >80CRI
 > 3023lm
 Efficacy > 81LPW



C0/C180: ———
 C90/C270: ———

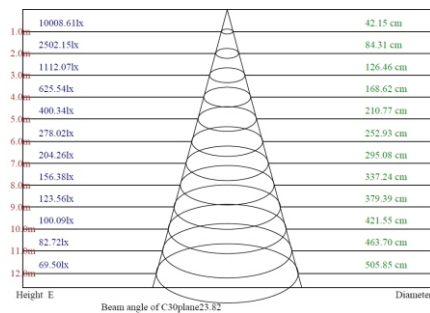


C0/C180: ———
 C90/C270: ———

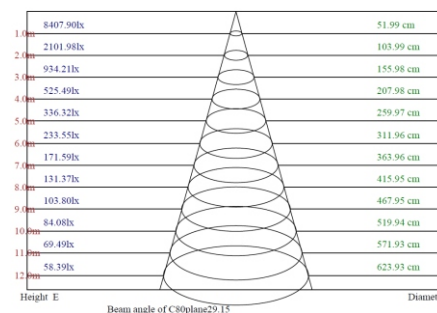


C0/C180: ———
 C90/C270: ———

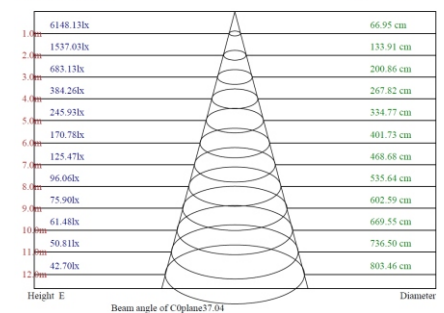
Lux distance Curve



Lux distance Curve



Lux distance Curve



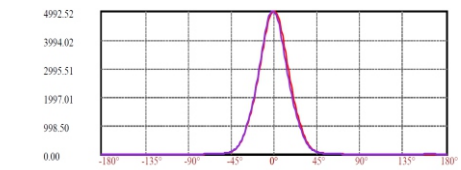
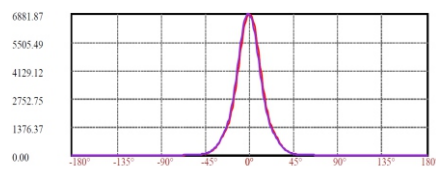
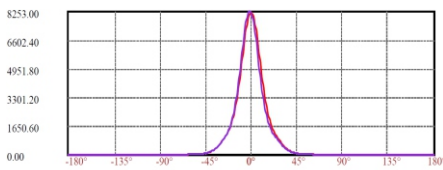
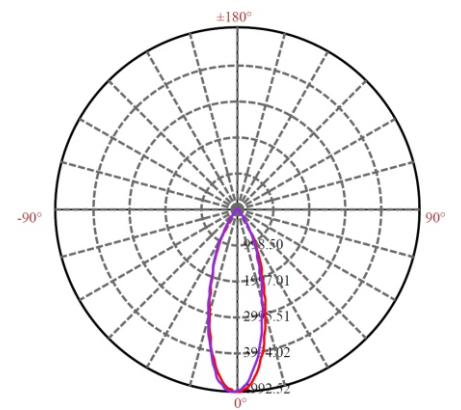
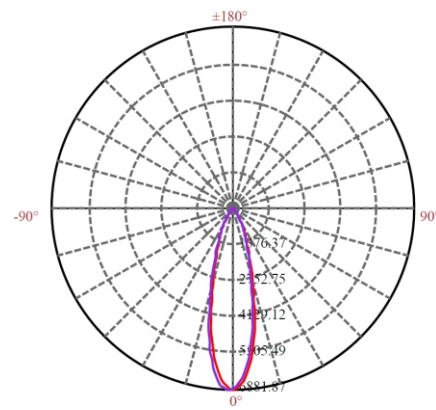
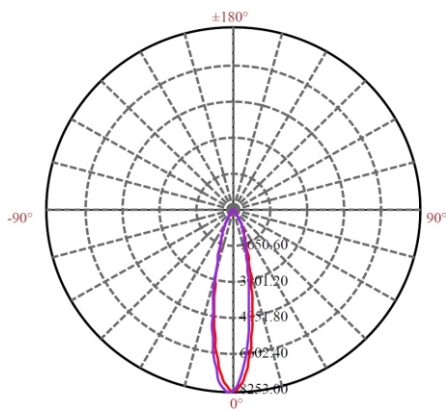
Photometric Data : Distribution Curve

Classic VS4 Vertical Spot Maxi(2200lm)

15° Beam Spread
3000K/ >80CRI
> 2241lm
Efficacy > 78LPW

24° Beam Spread
3000K/ >80CRI
> 2267lm
Efficacy > 78LPW

30° Beam Spread
3000K/ >80CRI
> 2252lm
Efficacy > 78LPW

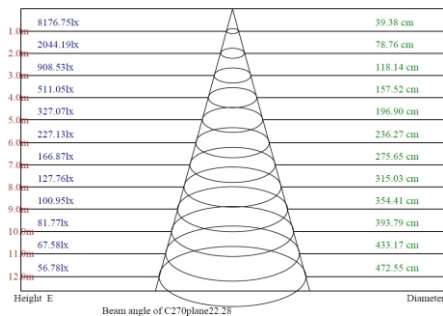


C0/C180: —
C90/C270: —

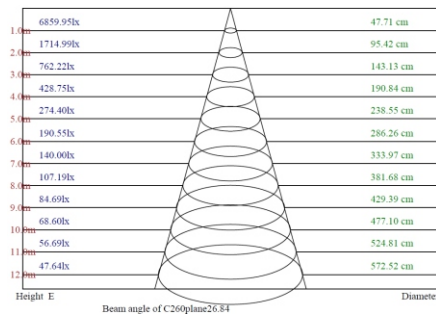
C0/C180: —
C90/C270: —

C0/C180: —
C90/C270: —

Lux distance Curve

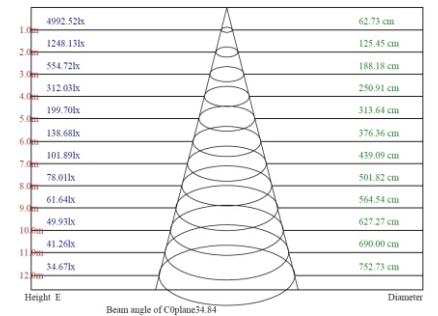


Lux distance Curve



Page 3 Total:26

Lux distance Curve



Page 3 Total:26